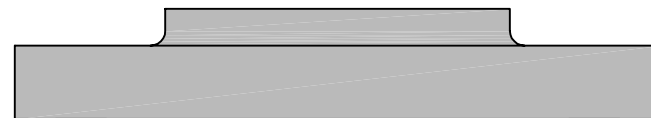
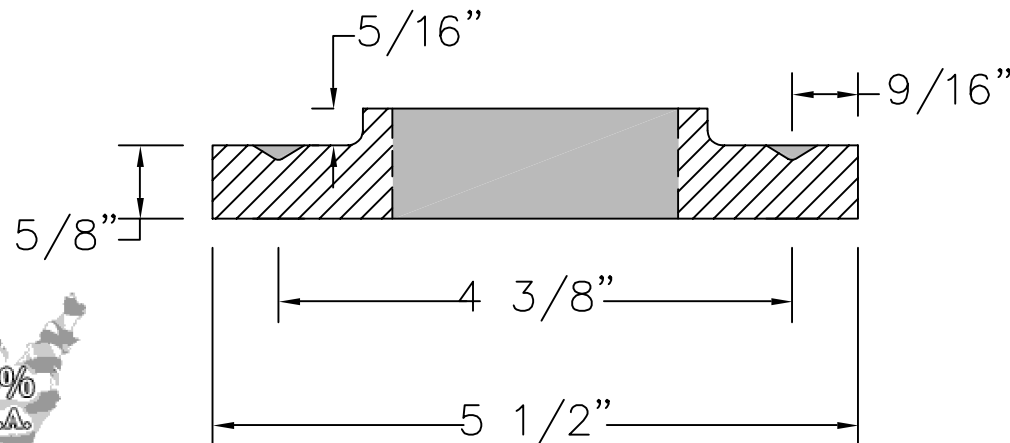


PLAN VIEW



SIDE VIEW

Dimples to be used as reference for drilling optional bolt holes (4 places)  
Pre-drilling is available at an additional cost.  
If pre-drilling is desired, please specify your requirement.



SECTION VIEW

Related Castings:

AIC 489

AIC 492

AIC 316-318



WEIGHT: 3 LBS. 4 OZ.

REV. 1-9-09

**THIS DRAWING IS NOT DRAWN TO SCALE**  
Copyright 2003, 2007-2009 Architectural Iron Company, Inc. All rights reserved.

THIS DRAWING IS AN INSTRUMENT OF PROFESSIONAL SERVICE AND SHALL REMAIN THE PROPERTY OF ARCHITECTURAL IRON COMPANY WHETHER THE PROJECT FOR WHICH IT IS PREPARED IS EXECUTED OR NOT. NO CHANGES, ALTERATIONS, ADDITIONS, OR DELETIONS MAY BE MADE EXCEPT BY ARCHITECTURAL IRON COMPANY. THIS DRAWING SHALL NOT BE REPRODUCED BY ANYONE ON OTHER PROJECTS, FOR ADDITIONS TO THIS PROJECT, OR FOR COMPLETION OF THIS PROJECT BY OTHERS WITHOUT WRITTEN CONSENT.

**Note:**  
**Material: Ductile Iron**  
1) Designed for insert fit by 2" nominal pipe (2.375" O.D.).  
2) This fitting is available in a sloped version (1:12) for handicapped ramps.



**Architectural Iron Company**

104 Ironwood Court / P.O. Box 126  
Milford, PA 18337

800-442-IRON/4766

Fax: 570-296-IRON/4766

www.architecturaliron.com

E-mail: info@architecturaliron.com

**PIPE RAIL FLANGE**

Drawing No.	Drafted By:	Checked By:	Date:	Part Number
AIC-471	W.A./J.W.	D.O.	05/15/03	AIC-471