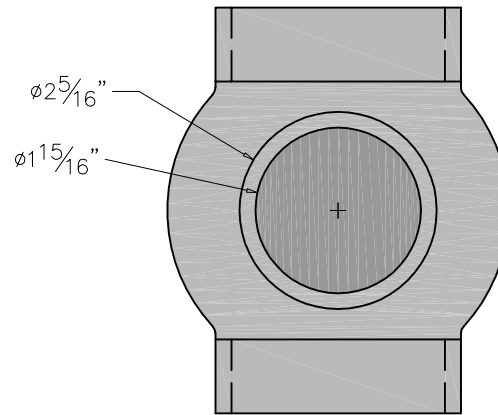


TOP VIEW



LEFT VIEW

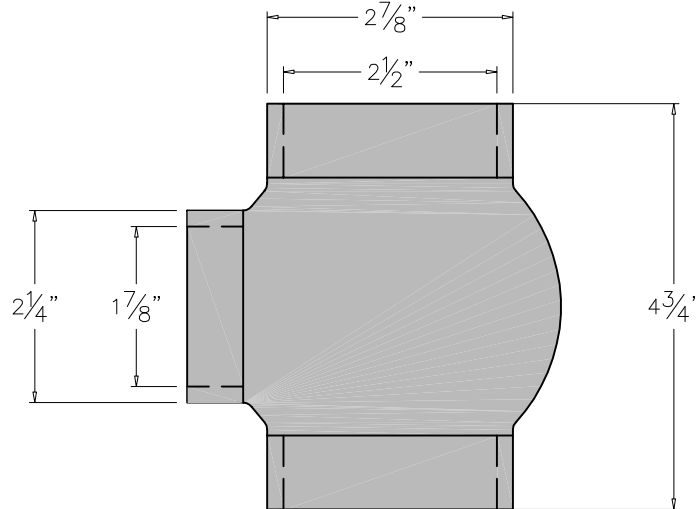
Related Castings:

AIC 471

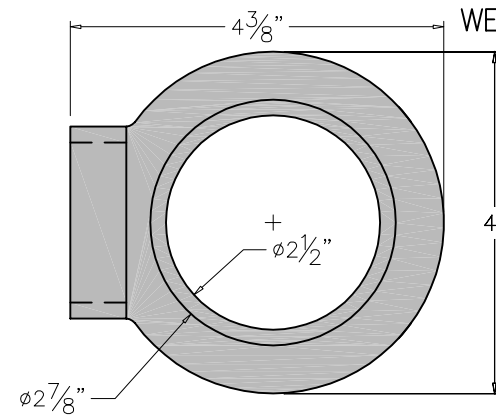
AIC 492

AIC 316-318

WEIGHT 3 LBS. 4 OZ.



FRONT & BACK VIEW



BOTTOM VIEW



Rev. 1-9-09

THIS DRAWING IS NOT DRAWN TO SCALE
Copyright 2005, 2007-2009 Architectural Iron Company, Inc. All rights reserved.

THIS DRAWING IS AN INSTRUMENT OF PROFESSIONAL SERVICE AND SHALL REMAIN THE PROPERTY OF ARCHITECTURAL IRON COMPANY WHETHER THE PROJECT FOR WHICH IT IS PREPARED IS EXECUTED OR NOT. NO CHANGES, ALTERATIONS, ADDITIONS, OR DELETIONS MAY BE MADE EXCEPT BY ARCHITECTURAL IRON COMPANY. THIS DRAWING SHALL NOT BE REPRODUCED BY ANYONE ON OTHER PROJECTS, FOR ADDITIONS TO THIS PROJECT, OR FOR COMPLETION OF THIS PROJECT BY OTHERS WITHOUT WRITTEN CONSENT.

Note:
Material: Ductile Iron
1) Designed for insert fit by 1 1/2" & 2" nominal pipe (1.9" O.D. & 2.375" O.D.).
2) This fitting is available in a sloped version (1:12) for handicapped ramps.



Architectural Iron Company

104 Ironwood Court / P.O. Box 126
Milford, PA 18337

800-442-IRON/4766

Fax: 570-296-IRON/4766

www.architecturaliron.com

E-mail: info@architecturaliron.com

PIPE RAIL CROSS (END)

Drawing No.	Drafted By:	Checked By:	Date:	Part Number
AIC-489ME	W.A./J.W./BH	D.O.	08/23/05	AIC-489ME