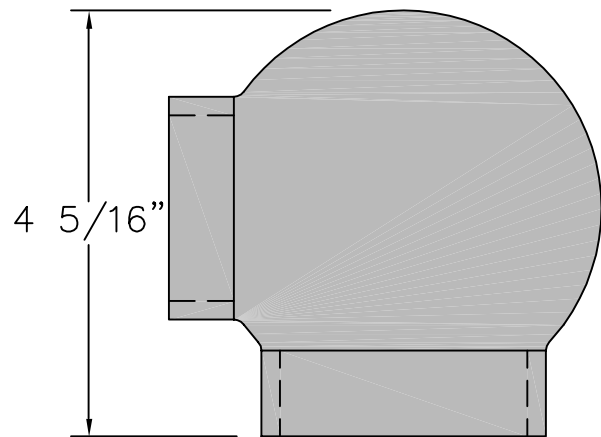
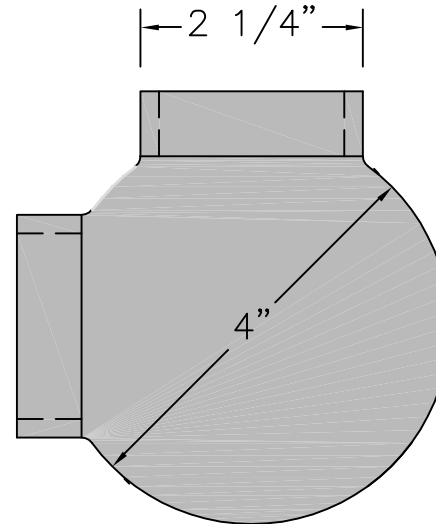


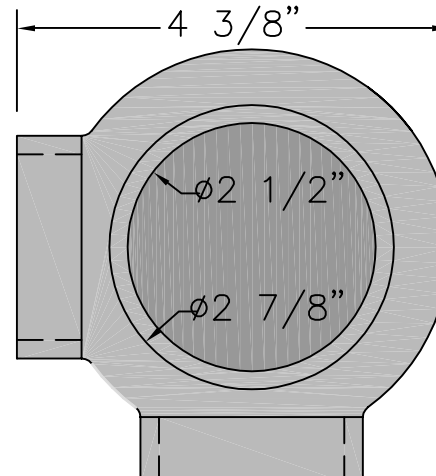
LEFT VIEW



FRONT & BACK VIEW



TOP VIEW



BOTTOM VIEW

Related Castings:
AIC 471
AIC 489
AIC 316-318



WEIGHT: 3 LBS.

Rev. 1-9-09

THIS DRAWING IS NOT DRAWN TO SCALE
Copyright 2005, 2007-2009 Architectural Iron Company, Inc. All rights reserved.

THIS DRAWING IS AN INSTRUMENT OF PROFESSIONAL SERVICE AND SHALL REMAIN THE PROPERTY OF ARCHITECTURAL IRON COMPANY WHETHER THE PROJECT FOR WHICH IT IS PREPARED IS EXECUTED OR NOT. NO CHANGES, ALTERATIONS, ADDITIONS, OR DELETIONS MAY BE MADE EXCEPT BY ARCHITECTURAL IRON COMPANY. THIS DRAWING SHALL NOT BE REPRODUCED BY ANYONE ON OTHER PROJECTS, FOR ADDITIONS TO THIS PROJECT, OR FOR COMPLETION OF THIS PROJECT BY OTHERS WITHOUT WRITTEN CONSENT.

Note:
Material: Ductile Iron
1) Designed for insert fit by 1 1/2" & 2" nominal pipe (1.9" O.D. & 2.375" O.D.).
2) This fitting is available in a sloped version (1:12) for handicapped ramps.



Architectural Iron Company

104 Ironwood Court / P.O. Box 126
Milford, PA 18337

800-442-IRON/4766
www.architecturaliron.com

Fax: 570-296-IRON/4766
E-mail: info@architecturaliron.com

PIPE RAIL TEE (CORNER)

Drawing No.	Drafted By:	Checked By:	Date:	Part Number
AIC-492MC	W.A./J.W./BH	D.O.	08/23/05	AIC-492MC