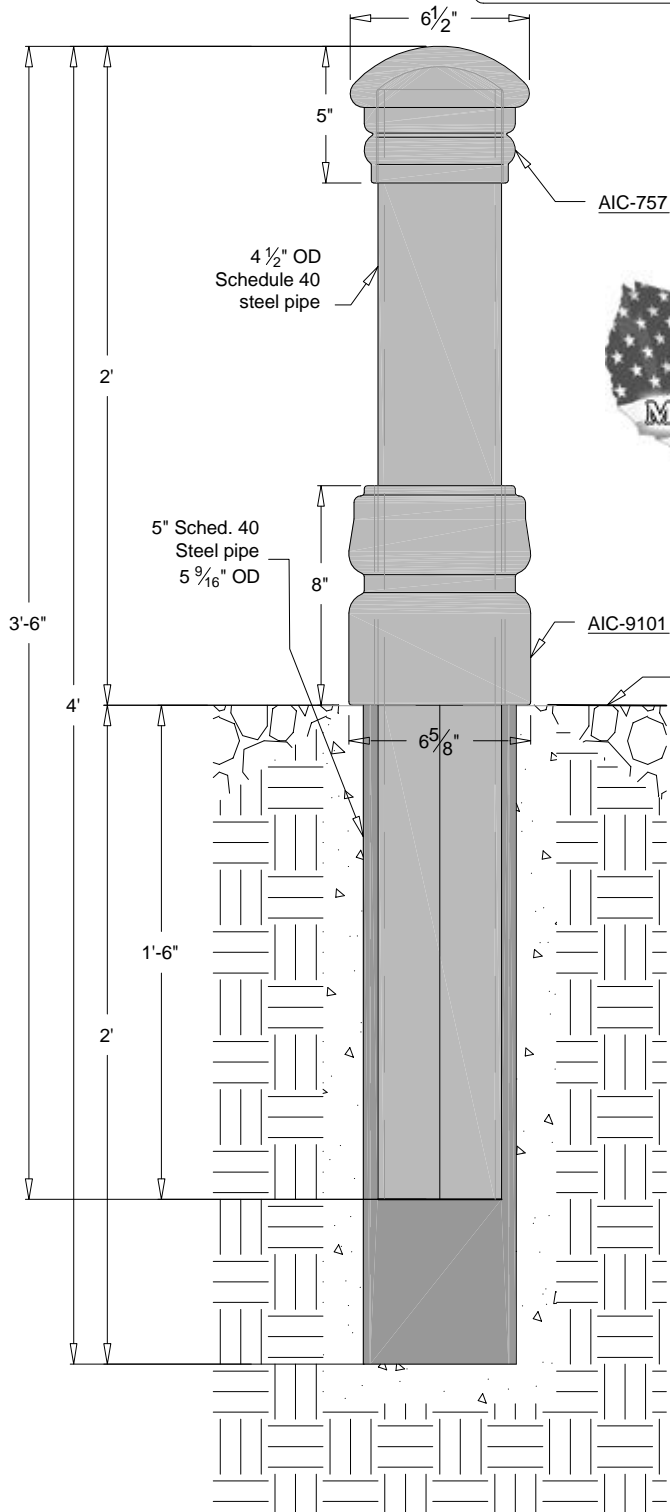


American Bollard



Notes:

- 1) Bollard is provided as shown.
- 2) Embedment details are for reference illustration only.
- 3) Optional eyebolts may be added for chains (call for pricing).
- 4) Overall height may be adjusted (call for pricing).
- 5) Available as components or assembled unit.
- 6) Assembled units are shipped primed.
- 7) This bollard is part of the Westbury Bollard Series (See drawings AIC-WBB and AIC-157/8393)
- 8) This style also available in Direct Burial, Removable/Lockable, and Flange/Surface Mount versions.

Shown here with
Optional eyebolts

Rev. 1-13-09

Weight:
AIC-757 = 25 lbs.
AIC-9101 = 12 lbs.
Assembly approximately 92 lbs.

AIC-157/8393
Westbury "B" Bollard

AIC-757/9101
Westbury "A" Bollard
(shown w/ optional eyebolts)

THIS DRAWING IS AN INSTRUMENT OF PROFESSIONAL SERVICE AND SHALL REMAIN THE PROPERTY OF ARCHITECTURAL IRON COMPANY WHETHER THE PROJECT FOR WHICH IT IS PREPARED IS EXECUTED OR NOT. NO CHANGES, ALTERATIONS, ADDITIONS, OR DELETIONS MAY BE MADE EXCEPT BY ARCHITECTURAL IRON COMPANY. THIS DRAWING SHALL NOT BE REPRODUCED BY ANYONE ON OTHER PROJECTS. FOR ADDITIONS TO THIS PROJECT, OR FOR COMPLETION OF THIS PROJECT BY OTHERS WITHOUT WRITTEN CONSENT.

This drawing is available in AutoCad format.

Material used is cast iron unless otherwise specified.

Due to the casting process actual measurements may vary slightly.

This drawing is available in AutoCad format.

Material used is cast iron unless otherwise specified.

Due to the casting process actual measurements may vary slightly.

AIC Architectural Iron Company		104 Ironwood Court / P.O. Box 126 Milford, PA 18337	
800-442-IRON/4766		Fax: 570-296-IRON /4766	
www.architecturaliron.com		E-mail: info@architecturaliron.com	
Westbury Bollard Series			
Drawing No. AIC-WBB	Drafted By: B. Hale	Checked By: D.O.	Date: 04/17/06
Part Number AIC-WBB			

THIS DRAWING IS NOT DRAWN TO SCALE
Copyright 2006-2009 Architectural Iron Company, Inc. All rights reserved.

Architectural Iron Company
104 Ironwood Court / P.O. Box 126
Milford, PA 18337

800-442-IRON/4766
www.architecturaliron.com

Architectural Iron Company
104 Ironwood Court / P.O. Box 126
Milford, PA 18337

Fax: 570-296-IRON/4766
E-mail: info@architecturaliron.com

Westbury 'A' Bollard - Removable

Drawing No. AIC-7579101R	Drafted By: B. Hale	Checked By: D.O.	Date: 08/11/06
Part Number AIC-7579101R			

THIS DRAWING IS AN INSTRUMENT OF PROFESSIONAL SERVICE AND SHALL REMAIN THE PROPERTY OF ARCHITECTURAL IRON COMPANY WHETHER THE PROJECT FOR WHICH IT IS PREPARED IS EXECUTED OR NOT. NO CHANGES, ALTERATIONS, ADDITIONS, OR DELETIONS MAY BE MADE EXCEPT BY ARCHITECTURAL IRON COMPANY. THIS DRAWING SHALL NOT BE REPRODUCED BY ANYONE ON OTHER PROJECTS. FOR ADDITIONS TO THIS PROJECT, OR FOR COMPLETION OF THIS PROJECT BY OTHERS WITHOUT WRITTEN CONSENT.

This drawing is available in AutoCad format.

Material used is cast iron
unless otherwise specified.

Due to the casting process actual
measurements may vary slightly.