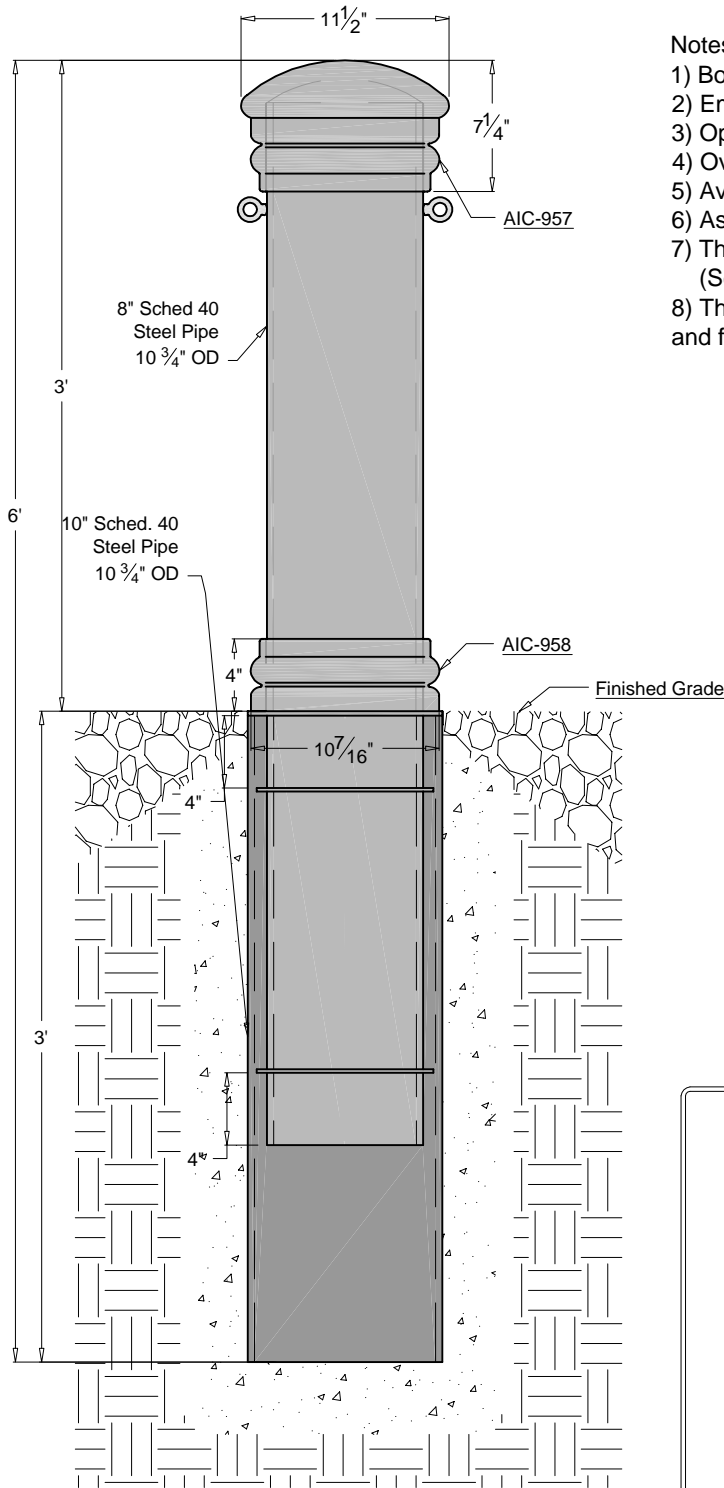


American Bollard

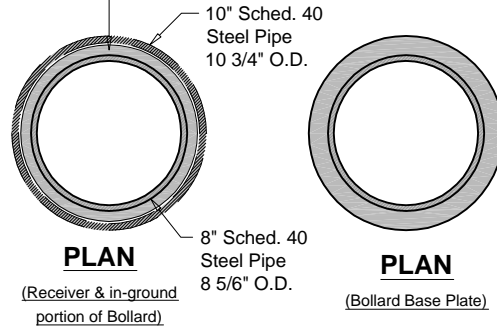


Notes:

- 1) Bollard is provided as shown.
- 2) Embedment details are for reference illustration only.
- 3) Optional eyebolts may be added for chains (call for pricing).
- 4) Overall height may be adjusted (call for pricing).
- 5) Available as components or assembled unit.
- 6) Assembled units are shipped primed.
- 7) This bollard is part of the Garden City Bollard Series (See drawings AIC-GCB, AIC-157/158, and AIC-757/758)
- 8) This style is also available in direct burial, removable/lockable, and flange mounted versions.



3/16" thick rings welded to OD of 8" Sched. 40 pipe (2 Places)



Rev. 1-13-09

Weights:
 Bollard Assembly - 136 lbs.
 Receiver Assembly - 122 lbs.

THIS DRAWING IS NOT DRAWN TO SCALE

AIC Architectural Iron Company
 104 Ironwood Court / P.O. Box 126
 Milford, PA 18333
 900-442-IRON/4766 Fax: 570-296-IRON/4766
 www.architecturaliron.com E-mail: info@architecturaliron.com

Garden City Bollard Series

Drawing No.	Drafted By:	Checked By:	Date:	Part Number
AIC-GCB	B. Hale	D.Q.	08/11/06	AIC-GCB

THIS DRAWING IS NOT DRAWN TO SCALE
 Copyright 2006-2009 Architectural Iron Company, Inc. All rights reserved.

THIS DRAWING IS AN INSTRUMENT OF PROFESSIONAL SERVICE AND SHALL REMAIN THE PROPERTY OF ARCHITECTURAL IRON COMPANY WHETHER THE PROJECT FOR WHICH IT IS PREPARED IS EXECUTED OR NOT. NO CHANGES, ALTERATIONS, ADDITIONS, OR DELETIONS MAY BE MADE EXCEPT BY ARCHITECTURAL IRON COMPANY. THIS DRAWING SHALL NOT BE REPRODUCED BY ANYONE ON OTHER PROJECTS. FOR ADDITIONS TO THIS PROJECT, OR FOR COMPLETION OF THIS PROJECT BY OTHERS WITHOUT WRITTEN CONSENT.

This drawing is available in AutoCad format.

Material used is cast iron unless otherwise specified.

Due to the casting process actual measurements may vary slightly.

AIC Architectural Iron Company
 104 Ironwood Court / P.O. Box 126
 Milford, PA 18337
 800-442-IRON/4766 Fax: 570-296-IRON/4766
 www.architecturaliron.com E-mail: info@architecturaliron.com

Garden City 'C' Bollard - Removable

Drawing No.	Drafted By:	Checked By:	Date:	Part Number
AIC-957-958R	B. Hale	D.Q.	08/11/06	AIC-957-958R