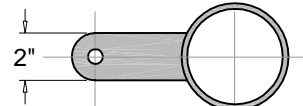
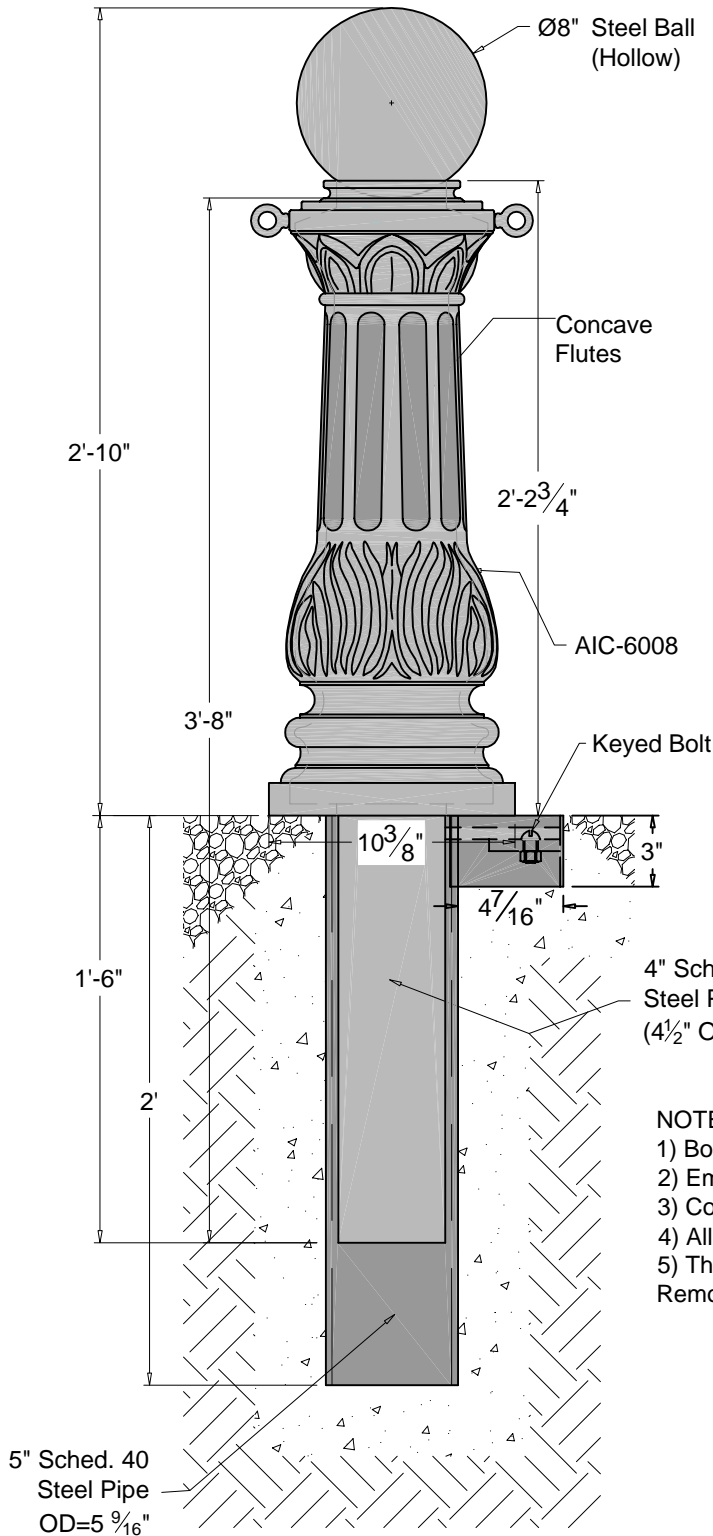
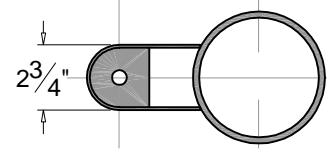


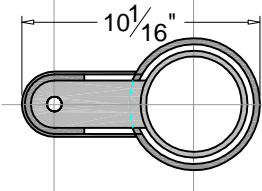
American Bollard



Detail: Bollard Plan at locking interface



Detail: Receiver Plan at locking interface



Detail: Bollard & Receiver Plan at locking interface

NOTES:

- 1) Bollard is provided as shown.
- 2) Embedment details are for reference illustration only.
- 3) Concrete and anchors by others.
- 4) All units are shipped primed.
- 5) This style also available in Removable, Removable/Lockable, and Flange/Surface Mount versions.

WEIGHTS:

AIC-6008 = 90 lbs.
 AIC-8" Ball = 5 1/2 lbs.
 Assembly w/Pipe = 170 lbs.

Rev. 1-14-09

THIS DRAWING IS NOT DRAWN TO SCALE
 Copyright 2008-2009 Architectural Iron Company, Inc. All rights reserved.

THIS DRAWING IS AN INSTRUMENT OF PROFESSIONAL SERVICE AND SHALL REMAIN THE PROPERTY OF ARCHITECTURAL IRON COMPANY WHETHER THE PROJECT FOR WHICH IT IS PREPARED IS EXECUTED OR NOT. NO CHANGES, ALTERATIONS, ADDITIONS, OR DELETIONS MAY BE MADE EXCEPT BY ARCHITECTURAL IRON COMPANY. THIS DRAWING SHALL NOT BE REPRODUCED BY ANYONE ON OTHER PROJECTS. FOR ADDITIONS TO THIS PROJECT, OR FOR COMPLETION OF THIS PROJECT BY OTHERS WITHOUT WRITTEN CONSENT.

This drawing is available in AutoCad format.

Material used is cast iron unless otherwise specified.

Due to the casting process actual measurements may vary slightly.



Architectural Iron Company

104 Ironwood Court / P.O. Box 126
 Milford, PA 18337

800-442-IRON/4766

Fax: 570-296-IRON/4766

www.architecturaliron.com

E-mail: info@architecturaliron.com

Bradford 8" Ball Cap Bollard - Removable/Lockable

Drawing No.	Drafted By:	Checked By:	Date:	Part Number
AIC-6008-80RL	B. Hale	D.Q.	08/05/08	AIC-6008-80RL