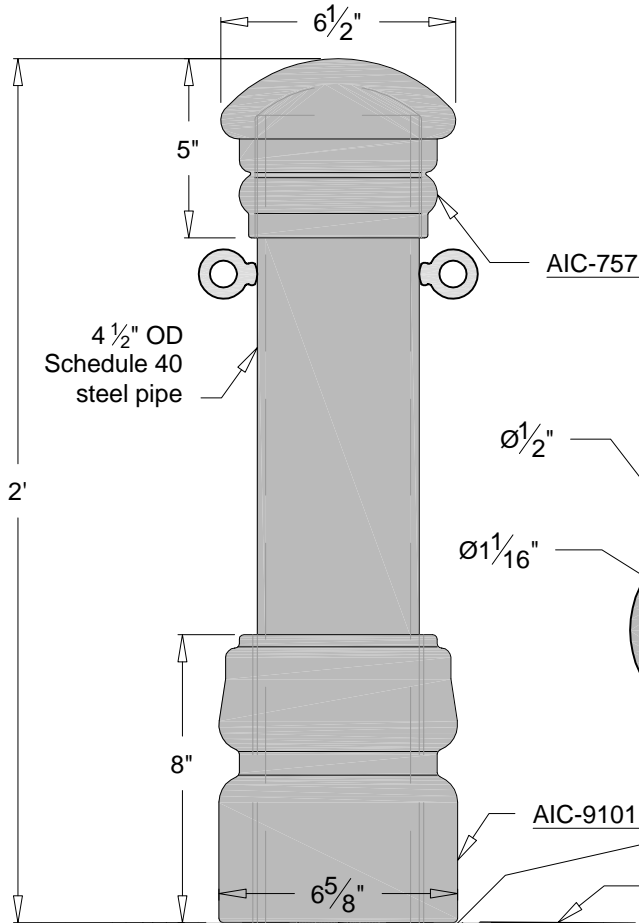
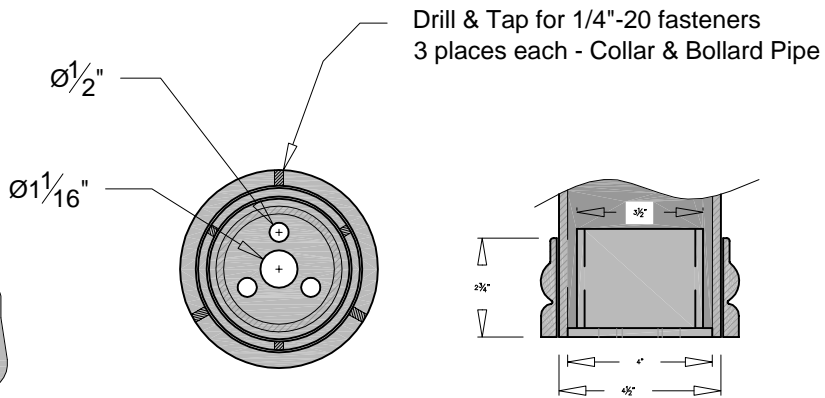


American Bollard



Notes:

- 1) Bollard is provided as shown.
- 2) Embedment details are for reference illustration only.
- 3) Optional eyebolts may be added for chains (call for pricing).
- 4) Overall height may be adjusted (call for pricing).
- 5) Available as components or assembled unit.
- 6) Assembled units are shipped primed.
- 7) This bollard is part of the Westbury Bollard Series (See drawings AIC-WBB and AIC-157/8393)
- 8) This style also available in direct burial, removable, and removable/lockable versions.



Drill & Tap for 1/4"-20 fasteners
3 places each - Collar & Bollard Pipe

Threaded rods by others
(1) 1" and/or (3) 1/2" rods

Finished Grade

Rev. 1-13-09

Weight:
AIC-757 = 25 lbs.
AIC-9101 = 12 lbs.
Assembly approximately 60 lbs.

AIC-157/8393
Westbury "B" Bollard

AIC-757/9101
Westbury "A" Bollard
(shown w/ optional eyebolts)

THIS DRAWING IS NOT DRAWN TO SCALE

THIS DRAWING IS AN INSTRUMENT OF PROFESSIONAL SERVICE AND SHALL REMAIN THE PROPERTY OF ARCHITECTURAL IRON COMPANY WHETHER THE PROJECT FOR WHICH IT IS PREPARED IS EXECUTED OR NOT. NO CHANGES, ALTERATIONS, ADDITIONS, OR DELETIONS MAY BE MADE EXCEPT BY ARCHITECTURAL IRON COMPANY. THIS DRAWING SHALL NOT BE REPRODUCED BY ANYONE ON OTHER PROJECTS, FOR ADDITIONS TO THIS PROJECT, OR FOR COMPLETION OF THE PROJECT BY OTHERS WITHOUT WRITTEN CONSENT.

This drawing is available in AutoCad format.

Material used is cast iron unless otherwise specified.

Due to the casting process actual measurements may vary slightly.

AIC Architectural Iron Company	
104 Ironwood Court / P.O. Box 126 Milford, PA 18337	
800-442-IRON/4766	Fax: 570-296-IRON /4766
www.architecturaliron.com E-mail: info@architecturaliron.com	
Westbury Bollard Series	
Drawing No. AIC-WBB	Part Number AIC-WBB
Drafted By: B. Hale	Checked By: D.O.
Date: 04/17/06	

THIS DRAWING IS NOT DRAWN TO SCALE
Copyright 2006-2009 Architectural Iron Company, Inc. All rights reserved.

THIS DRAWING IS AN INSTRUMENT OF PROFESSIONAL SERVICE AND SHALL REMAIN THE PROPERTY OF ARCHITECTURAL IRON COMPANY WHETHER THE PROJECT FOR WHICH IT IS PREPARED IS EXECUTED OR NOT. NO CHANGES, ALTERATIONS, ADDITIONS, OR DELETIONS MAY BE MADE EXCEPT BY ARCHITECTURAL IRON COMPANY. THIS DRAWING SHALL NOT BE REPRODUCED BY ANYONE ON OTHER PROJECTS, FOR ADDITIONS TO THIS PROJECT, OR FOR COMPLETION OF THIS PROJECT BY OTHERS WITHOUT WRITTEN CONSENT.

This drawing is available in AutoCad format.

Material used is cast iron unless otherwise specified.

Due to the casting process actual measurements may vary slightly.



Architectural Iron Company

104 Ironwood Court / P.O. Box 126
Milford, PA 18337

800-442-IRON/4766

Fax: 570-296-IRON/4766

www.architecturaliron.com

E-mail: info@architecturaliron.com

Westbury 'A' Bollard - Flange/Surface Mount

Drawing No. AIC-7579101F	Drafted By: B. Hale	Checked By: D.O.	Date: 08/14/06	Part Number AIC-7579101F
-----------------------------	------------------------	---------------------	-------------------	-----------------------------