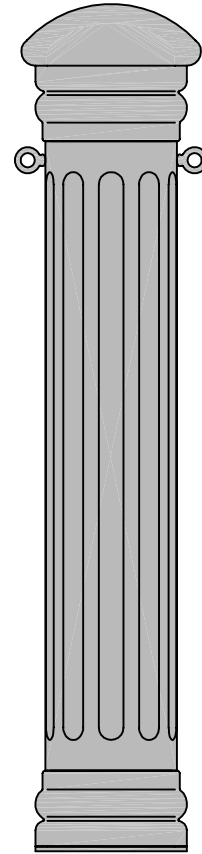
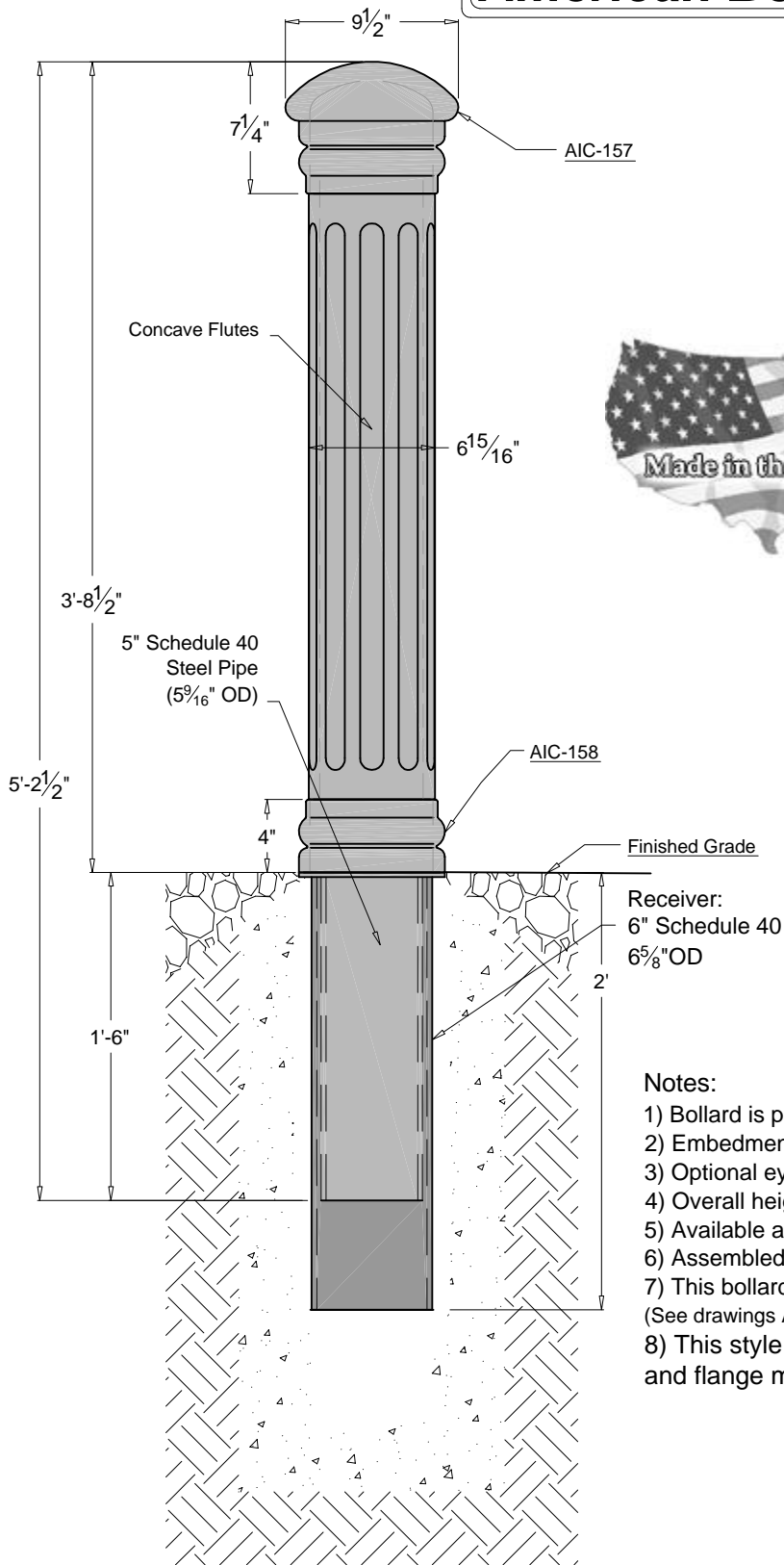


# American Bollard



**Shown here with  
Optional Eyebolts**

Receiver:  
6" Schedule 40  
6<sup>5</sup>/<sub>8</sub>" OD

**Notes:**

- 1) Bollard is provided as shown.
- 2) Embedment details are for reference illustration only.
- 3) Optional eyebolts may be added for chains (call for pricing).
- 4) Overall height may be adjusted (call for pricing).
- 5) Available as components or assembled unit.
- 6) Assembled units are shipped primed.
- 7) This bollard is part of the Garden City Bollard Series (See drawings AIC-GCB, AIC-757/758, and AIC-957/958)
- 8) This style also available in direct burial, removable/lockable, and flange mount versions.

**Weights:**  
AIC-157 = 32 lbs.  
AIC-158 = 10<sup>1</sup>/<sub>2</sub> lbs.  
Assembly w/Pipe = 328 lbs.

Rev. 1-19-09

THIS DRAWING IS NOT DRAWN TO SCALE  
Copyright 2008-2009 Architectural Iron Company, Inc. All rights reserved.

THIS DRAWING IS AN INSTRUMENT OF PROFESSIONAL SERVICE AND SHALL REMAIN THE PROPERTY OF ARCHITECTURAL IRON COMPANY WHETHER THE PROJECT FOR WHICH IT IS PREPARED IS EXECUTED OR NOT. NO CHANGES, ALTERATIONS, ADDITIONS, OR DELETIONS MAY BE MADE EXCEPT BY ARCHITECTURAL IRON COMPANY. THIS DRAWING SHALL NOT BE REPRODUCED BY ANYONE ON OTHER PROJECTS. FOR ADDITIONS TO THIS PROJECT, OR FOR COMPLETION OF THIS PROJECT BY OTHERS WITHOUT WRITTEN CONSENT.

This drawing is available in AutoCad format.

Material used is cast iron  
unless otherwise specified.

Due to the casting process actual  
measurements may vary slightly.



## Architectural Iron Company

104 Ironwood Court / P.O. Box 126  
Milford, PA 18337

800-442-IRON/4766

Fax: 570-296-IRON/4766

www.architecturaliron.com

E-mail: info@architecturaliron.com

### Garden City 'B' Fluted Bollard - Removable

Drawing No.	Drafted By:	Checked By:	Date:	Part Number
AIC-157-158R-F	B. Hale	D.Q.	04/30/08	AIC-157-158R-F