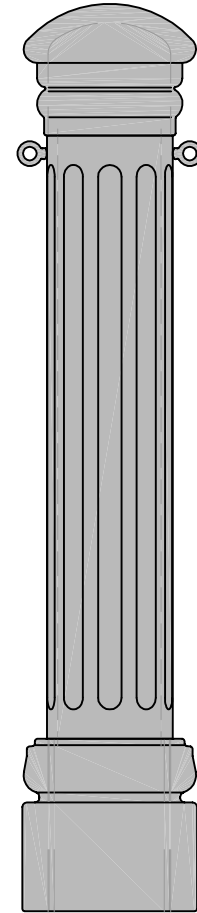
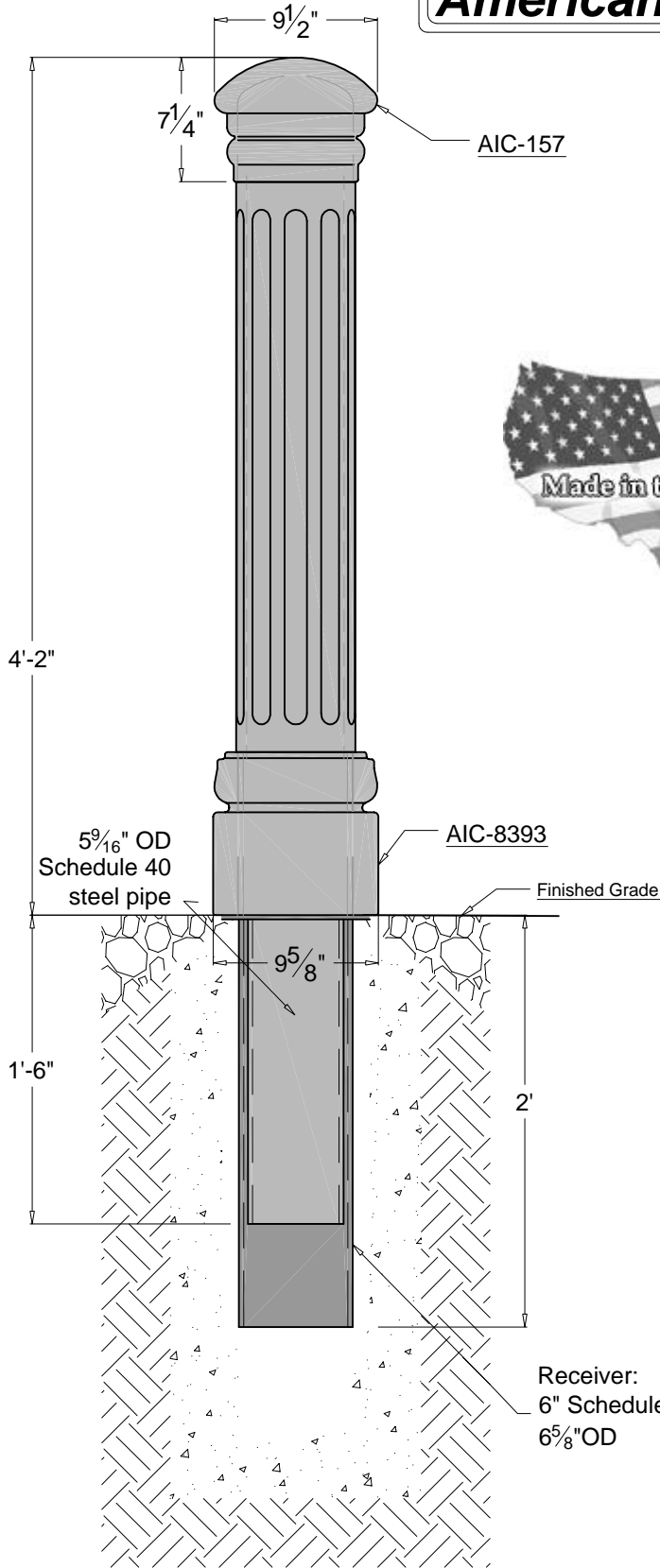


American Bollard



Shown here with
Optional eyebolts

Notes:

- 1) Bollard is provided as shown.
- 2) Embedment details are for reference illustration only.
- 3) Optional eyebolts may be added for chains (call for pricing).
- 4) Overall height may be adjusted (call for pricing).
- 5) Available as components or assembled unit.
- 6) Assembled units are shipped primed.
- 7) This bollard is part of the Westbury Bollard Series (See drawings AIC-WBB and AIC-757/9101)
- 8) This style also available in Direct Burial, Removable/Lockable, and Flange/Surface Mount versions.

Weights:

Bollard assembly approximately 313 lbs.
Receiver approximately 58 lbs.

Rev. 1-19-09

THIS DRAWING IS NOT DRAWN TO SCALE
Copyright 2008-2009 Architectural Iron Company, Inc. All rights reserved.

THIS DRAWING IS AN INSTRUMENT OF PROFESSIONAL SERVICE AND SHALL REMAIN THE PROPERTY OF ARCHITECTURAL IRON COMPANY WHETHER THE PROJECT FOR WHICH IT IS PREPARED IS EXECUTED OR NOT. NO CHANGES, ALTERATIONS, ADDITIONS, OR DELETIONS MAY BE MADE EXCEPT BY ARCHITECTURAL IRON COMPANY. THIS DRAWING SHALL NOT BE REPRODUCED BY ANYONE ON OTHER PROJECTS, FOR ADDITIONS TO THIS PROJECT, OR FOR COMPLETION OF THIS PROJECT BY OTHERS WITHOUT WRITTEN CONSENT.

This drawing is available in AutoCad format.

Material used is cast iron
unless otherwise specified.

Due to the casting process actual
measurements may vary slightly.

AIC

Architectural Iron Company

104 Ironwood Court / P.O. Box 126
Milford, PA 18337

800-442-IRON/4766

Fax: 570-296-IRON/4766

www.architecturaliron.com

E-mail: info@architecturaliron.com

Westbury 'B' Fluted Bollard - Removable

Drawing No.	Drafted By:	Checked By:	Date:	Part Number
AIC-1578393R-F	B. Hale	D.Q.	04/30/08	AIC-1578393R-F