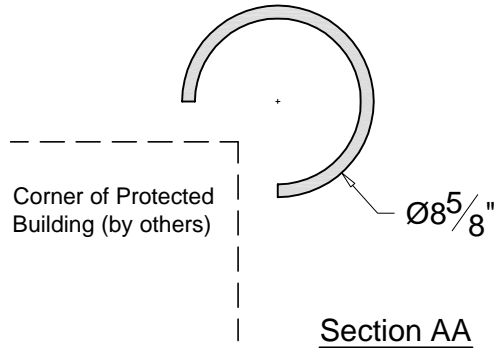
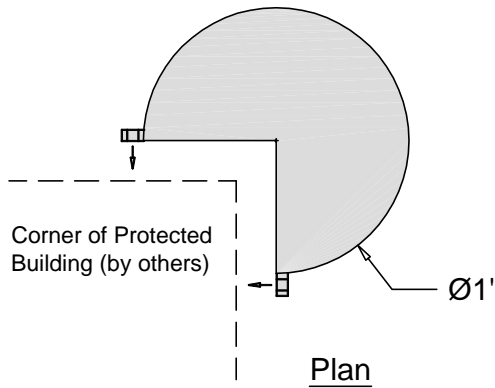


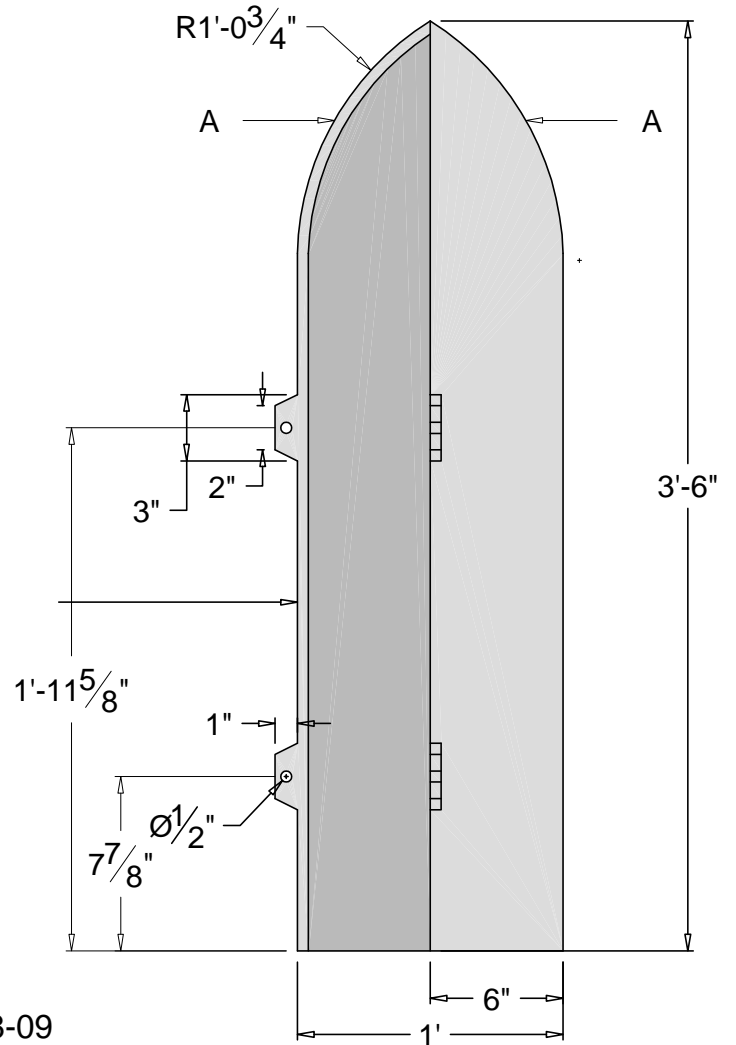
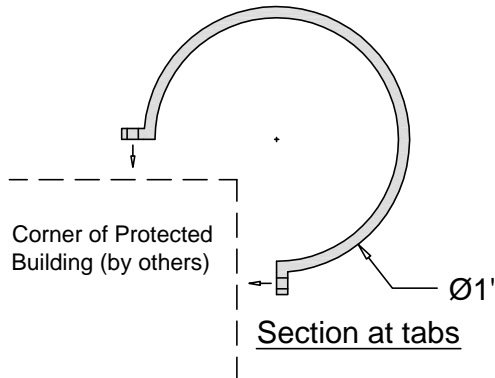
American Bollard



NOTE: This item is available in **ductile iron** only.

Thickness: 1/2" throughout

Weight: 145 lbs.



Rev. 1-8-09

THIS DRAWING IS NOT DRAWN TO SCALE
Copyright 2006-2009 Architectural Iron Company, Inc. All rights reserved.

THIS DRAWING IS AN INSTRUMENT OF PROFESSIONAL SERVICE AND SHALL REMAIN THE PROPERTY OF ARCHITECTURAL IRON COMPANY WHETHER THE PROJECT FOR WHICH IT IS PREPARED IS EXECUTED OR NOT. NO CHANGES, ALTERATIONS, ADDITIONS, OR DELETIONS MAY BE MADE EXCEPT BY ARCHITECTURAL IRON COMPANY. THIS DRAWING SHALL NOT BE REPRODUCED BY ANYONE ON OTHER PROJECTS, FOR ADDITIONS TO THIS PROJECT, OR FOR COMPLETION OF THIS PROJECT BY OTHERS WITHOUT WRITTEN CONSENT.

This drawing is available in AutoCad format.

Material used is ductile iron unless otherwise specified.

Due to the casting process actual measurements may vary slightly.



800-442-IRON/4766

www.architecturaliron.com

Architectural Iron Company

104 Ironwood Court / P.O. Box 126
Milford, PA 18337

Fax: 570-296-IRON /4766

E-mail: info@architecturaliron.com

The Protector - Corner Bollard

Drawing No.	Drafted By:	Checked By:	Date:	Part Number
AIC-292	B. Hale	D.Q.	09/11/06	AIC-292