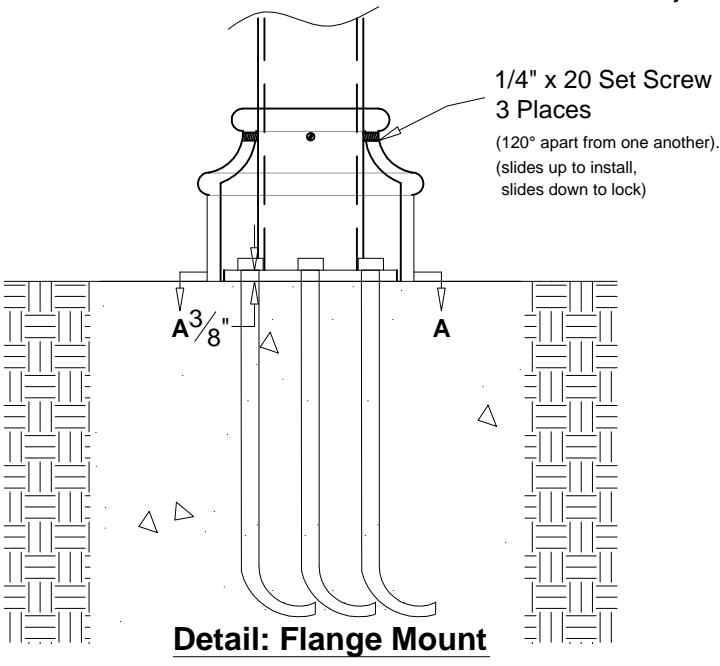
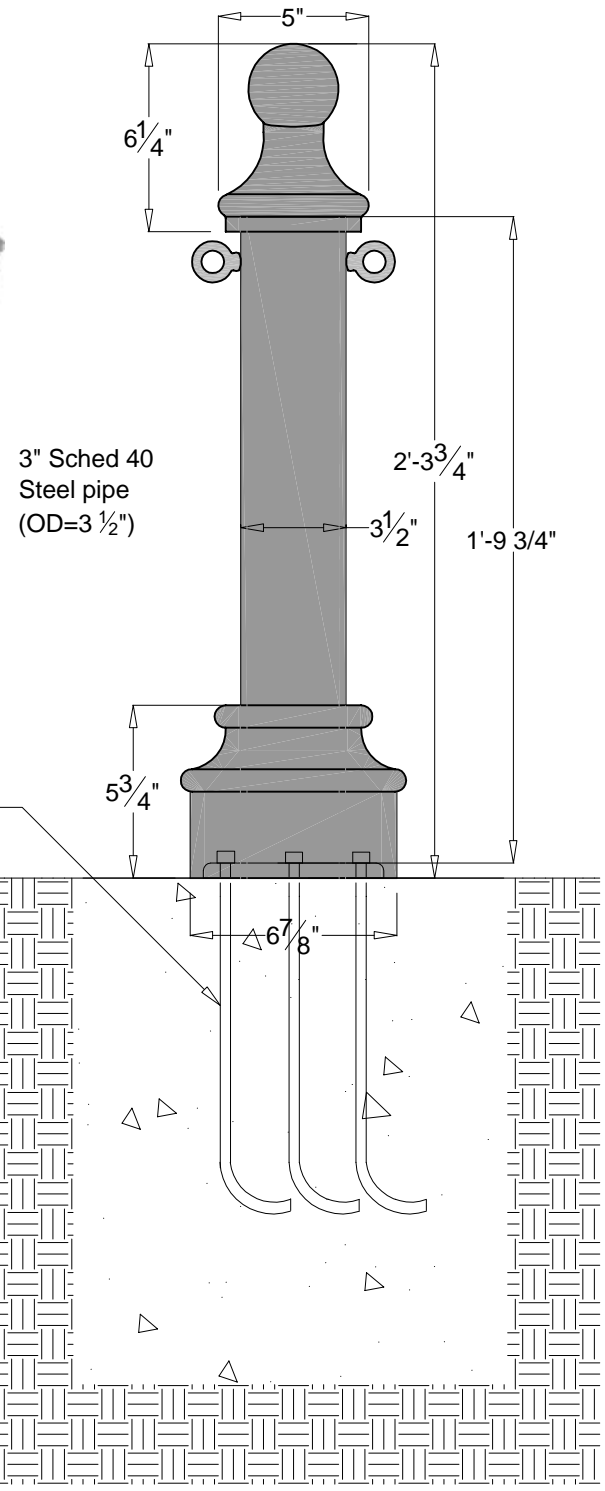
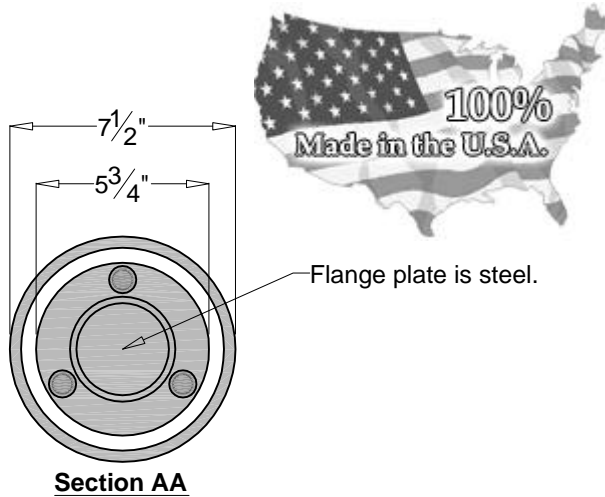


American Bollard

NOTES:

- 1) Bollard is provided as shown.
- 2) Overall heights are adjustable (call for pricing).
- 3) Embedment details are for reference illustration only.
- 4) Concrete and anchors by others.
- 5) All units are shipped primed.
- 6) Optional eyebolts may be added for chains (call for pricing).
- 7) This style also available in direct burial, removable, and removable/lockable versions.

Weight: approx. 30 lbs. (Flange Mounted Unit)



REV. 1-13-09

THIS DRAWING IS NOT DRAWN TO SCALE
Copyright 2006-2009 Architectural Iron Company, Inc. All rights reserved.

AIC Architectural Iron Company
104 Ironwood Court / P.O. Box 126
Milford, PA 18337
800-442-IRON/4766 Fax: 570-296-IRON/4766

www.architecturaliron.com E-mail: info@architecturaliron.com

Hampton "A" Bollard - Flange Mounting

Drawing No. AIC-714-715F	Drafted By: B. Hale	Checked By: D.O.	Date: 08/11/06	Part Number AIC-714-715F
-----------------------------	------------------------	---------------------	-------------------	-----------------------------

THIS DRAWING IS AN INSTRUMENT OF PROFESSIONAL SERVICE AND SHALL REMAIN THE PROPERTY OF ARCHITECTURAL IRON COMPANY WHETHER THE PROJECT FOR WHICH IT IS PREPARED IS EXECUTED OR NOT. NO CHANGES, ALTERATIONS, ADDITIONS, OR DELETIONS MAY BE MADE EXCEPT BY ARCHITECTURAL IRON COMPANY. THIS DRAWING SHALL NOT BE REPRODUCED BY ANYONE ON OTHER PROJECTS. FOR ADDITIONS TO THIS PROJECT, OR FOR COMPLETION OF THIS PROJECT BY OTHERS WITHOUT WRITTEN CONSENT.

This drawing is available in AutoCad format.

Material used is cast iron unless otherwise specified.

Due to the casting process actual measurements may vary slightly.