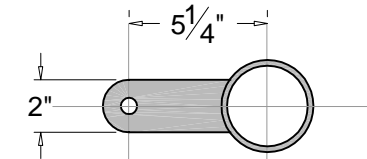
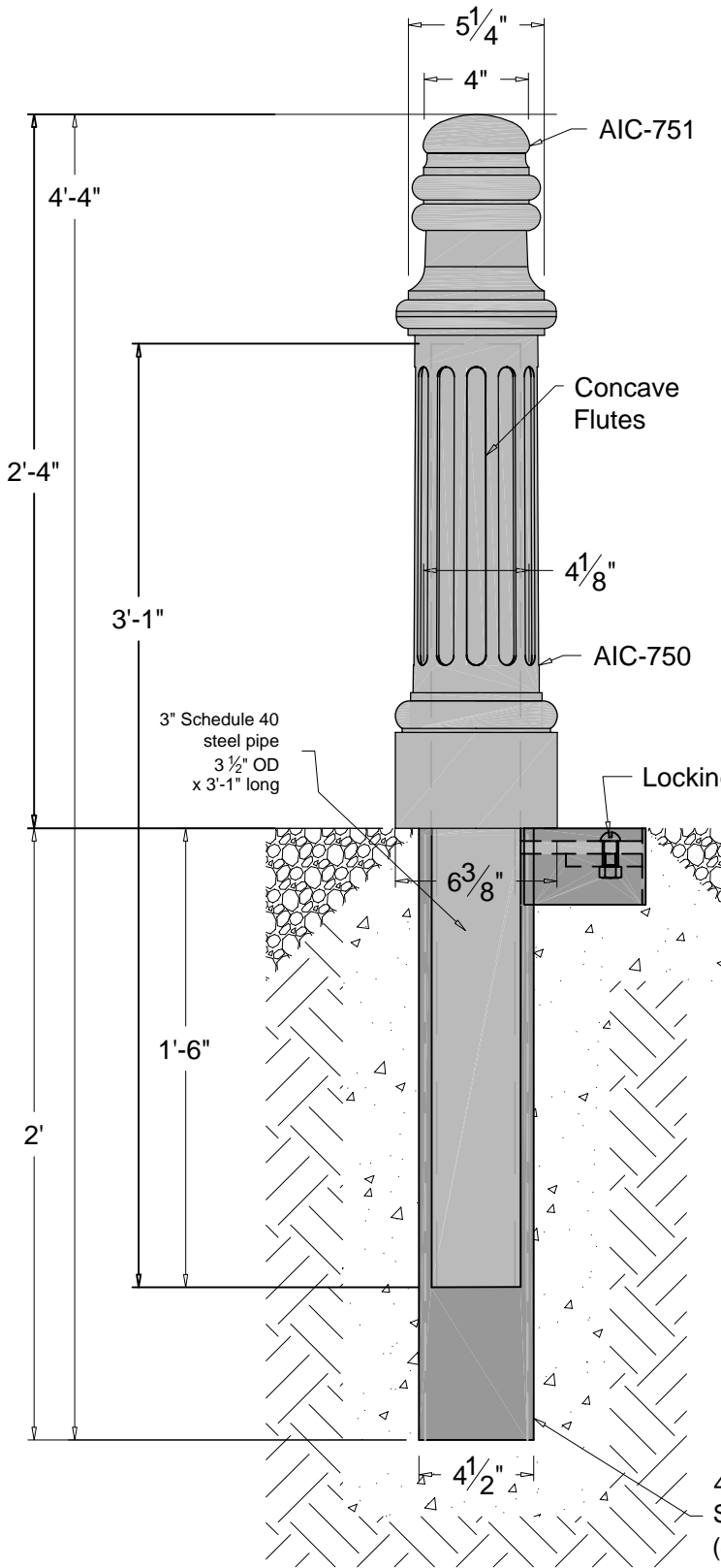
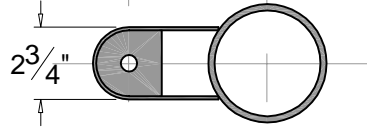


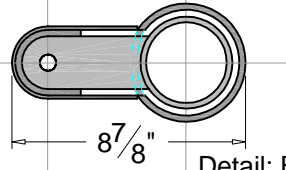
American Bollard



Detail: Bollard Plan at locking interface



Detail: Receiver Plan at locking interface



Detail: Bollard & Receiver Plan at locking interface

- NOTES:**
- 1) Bollard is provided as shown.
 - 2) Embedment details are for reference illustration only.
 - 3) Concrete and anchors by others.
 - 4) All units are shipped primed.
 - 5) Securing bolt, 1 1/2" x 1/2" Keyed Lock Buttonhead 118-8 Stainless by The Bryce Company or approved equal, with flat washer, nut welded to lower flange, with (1) one key for every ten (10) bollards.
 - 6) Optional eyebolts per contract.



4" Sched 40
Steel pipe
(4 1/2" OD)

Approximate Weights:
AIC-750 = 75 lbs.
AIC-751 = 7 lbs.
Assembly w/ pipe = 136 lbs.

Rev. 1-13-09

THIS DRAWING IS NOT DRAWN TO SCALE
Copyright 2006-2009 Architectural Iron Company, Inc. All rights reserved.

THIS DRAWING IS AN INSTRUMENT OF PROFESSIONAL SERVICE AND SHALL REMAIN THE PROPERTY OF ARCHITECTURAL IRON COMPANY WHETHER THE PROJECT FOR WHICH IT IS PREPARED IS EXECUTED OR NOT. NO CHANGES, ALTERATIONS, ADDITIONS, OR DELETIONS MAY BE MADE EXCEPT BY ARCHITECTURAL IRON COMPANY. THIS DRAWING SHALL NOT BE REPRODUCED BY ANYONE ON OTHER PROJECTS, FOR ADDITIONS TO THIS PROJECT, OR FOR COMPLETION OF THIS PROJECT BY OTHERS WITHOUT WRITTEN CONSENT.

This drawing is available in AutoCad format.

Material used is cast iron unless otherwise specified.

Due to the casting process actual measurements may vary slightly.

| | | | | |
|---|------------------------|---|--|------------------------------|
| | | Architectural Iron Company 104 Ironwood Court / P.O. Box 126 Milford, PA 18337 | | |
| | | 800-442-IRON/4766 www.architecturaliron.com | Fax: 570-296-IRON/4766 E-mail: info@architecturaliron.com | |
| Cedar Grove "A" Bollard - Removable/Lockable | | | | |
| Drawing No. AIC-750-751RL | Drafted By: B. Hale | Checked By: D.Q. | Date: 10/29/07 | Part Number AIC-750-751RL |