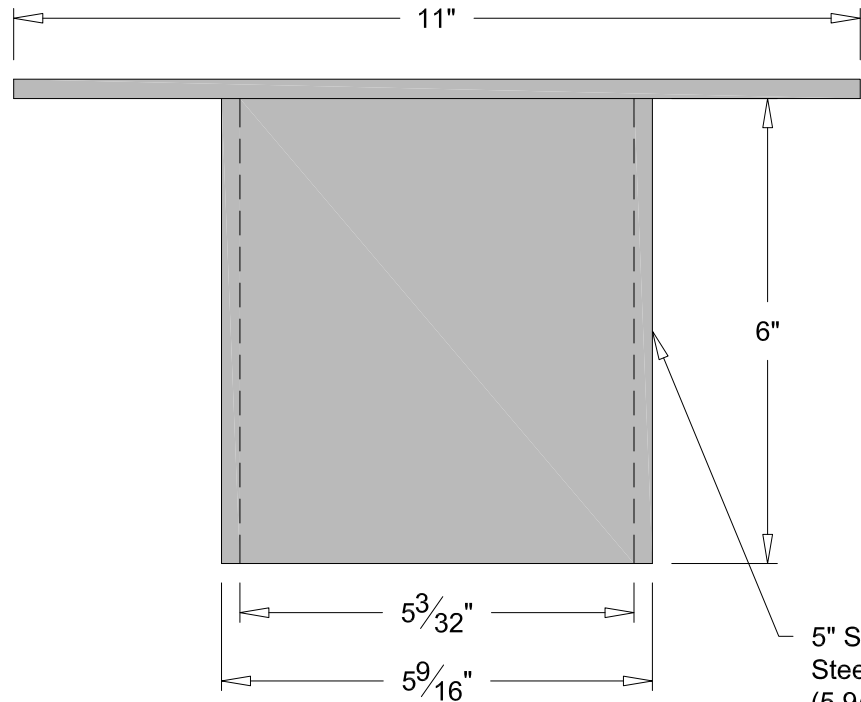
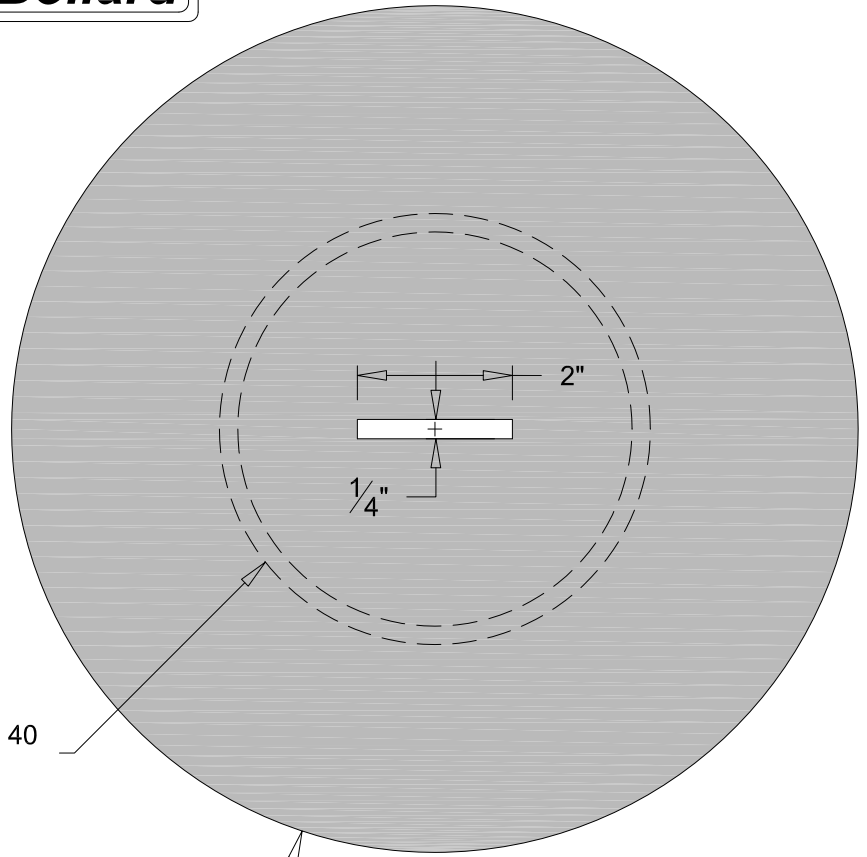


American Bollard



5" Schedule 40
Steel Pipe
(5 9/16"OD)



$\varnothing 11"$

THIS DRAWING IS NOT DRAWN TO SCALE
Copyright 2007-2016 Architectural Iron Company, Inc. All rights reserved.

AIC Architectural Iron Company
104 Ironwood Court / P.O. Box 126
Milford, PA 18337

800-442-IRON/4766 Fax: 570-296-IRON/4766
www.architecturaliron.com E-mail: info@architecturaliron.com

Plug for AIC 774-775R Smooth Shaft Bollards

THIS DRAWING IS AN INSTRUMENT OF PROFESSIONAL SERVICE AND SHALL REMAIN THE PROPERTY OF ARCHITECTURAL IRON COMPANY WHETHER THE PROJECT FOR WHICH IT IS PREPARED IS EXECUTED OR NOT. NO CHANGES, ALTERATIONS, ADDITIONS, OR DELETIONS MAY BE MADE EXCEPT BY ARCHITECTURAL IRON COMPANY. THIS DRAWING SHALL NOT BE REPRODUCED BY ANYONE ON OTHER PROJECTS, FOR ADDITIONS TO THIS PROJECT, OR FOR COMPLETION OF THIS PROJECT BY OTHERS WITHOUT WRITTEN CONSENT.

This drawing is available in AutoCad format.

Material used is steel unless otherwise specified.

Due to the fabrication process actual measurements may vary slightly.

Drawing No. AIC-774-775RP	Drafted By: J. Roberts	Checked By: -	Date: 7/21/16	Part Number AIC 774-775RP
------------------------------	---------------------------	------------------	------------------	------------------------------