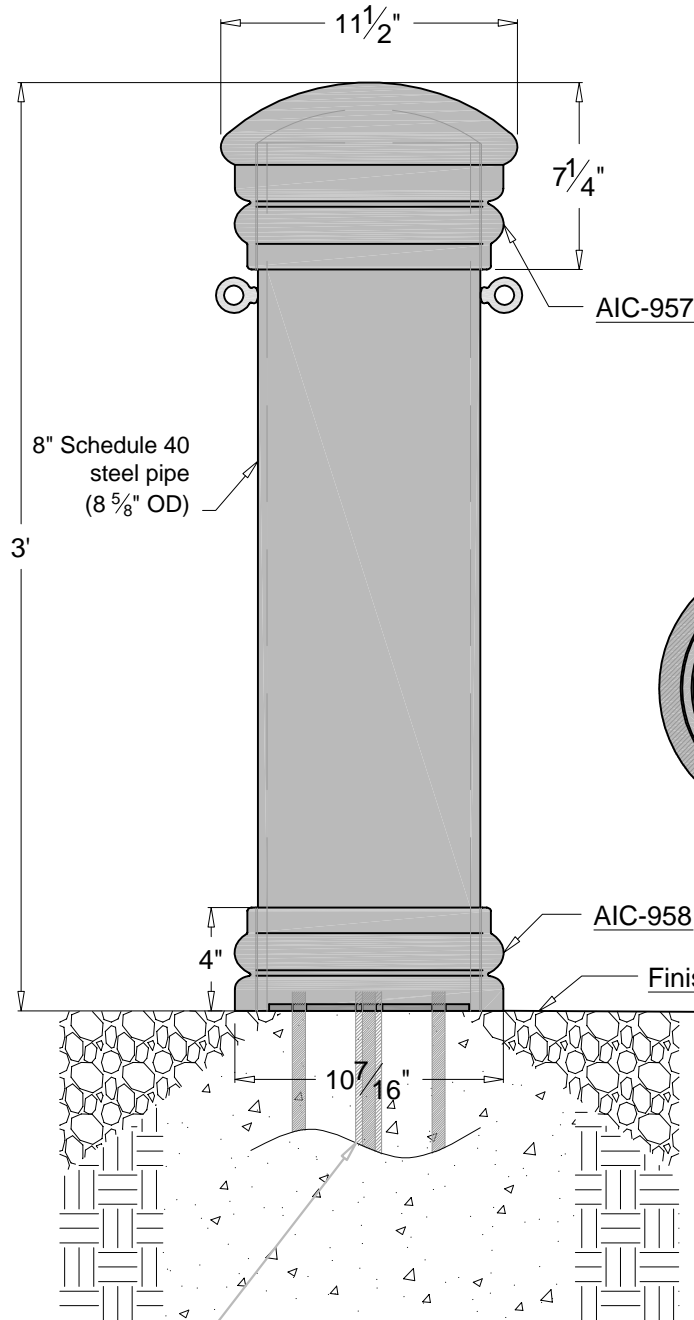
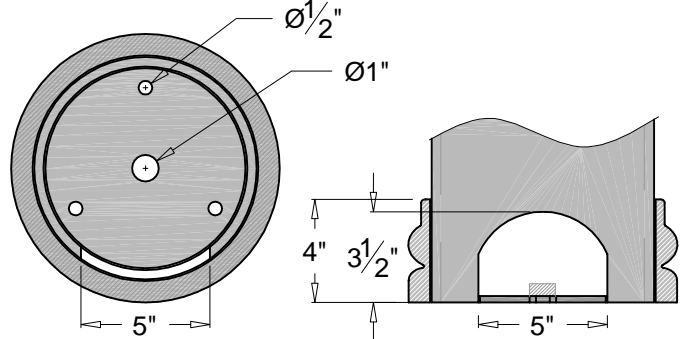


# American Bollard



**Notes:**

- 1) Bollard is provided as shown.
- 2) Embedment details are for reference illustration only.
- 3) Optional eyebolts may be added for chains (call for pricing).
- 4) Overall height may be adjusted (call for pricing).
- 5) Available as components or assembled unit.
- 6) Assembled units are shipped primed.
- 7) This bollard is part of the Garden City Bollard Series (See drawings AIC-GCB, AIC-157/158, and AIC-757/758)
- 8) This style also available in Direct Burial, Removable, and Removable/Lockable versions.



Assembly Weight: 132 lbs.

Rev. 1-13-09

Threaded Rods by others.  
(1) 1" and/or (3) 1/2" threaded rods.

AIC-757/758  
Garden City "A" Bollard  
(shown w/ optional eyebolts)

AIC-157/158  
Garden City "B" Bollard

AIC-957/958  
Garden City "C" Bollard

THIS DRAWING IS NOT DRAWN TO SCALE

THIS DRAWING IS AN INSTRUMENT OF PROFESSIONAL SERVICE AND SHALL REMAIN THE PROPERTY OF ARCHITECTURAL IRON COMPANY. NO CHANGES, ALTERATIONS, ADDITIONS, OR DELETIONS MAY BE MADE EXCEPT BY ARCHITECTURAL IRON COMPANY. THIS DRAWING SHALL NOT BE REPRODUCED BY ANYONE ON OTHER PROJECTS, FOR ADDITIONS TO THIS PROJECT, OR FOR COMPLETION OF THIS PROJECT BY OTHERS WITHOUT WRITTEN CONSENT.

This drawing is available in AutoCad format. Material used is cast iron unless otherwise specified. Due to the casting process actual measurements may vary slightly.

**AIC** Architectural Iron Company  
104 Ironwood Court / P.O. Box 126  
Milford, PA 18333  
800-442-IRON/4766 Fax: 570-296-IRON/4766  
www.architecturaliron.com E-mail: info@architecturaliron.com

Drawing No.	Drafted By:	Checked By:	Date:	Part Number
AIC-GCB	B. Hale	D.Q.	08/11/06	AIC-GCB

THIS DRAWING IS NOT DRAWN TO SCALE  
Copyright 2006-2009 Architectural Iron Company, Inc. All rights reserved.

THIS DRAWING IS AN INSTRUMENT OF PROFESSIONAL SERVICE AND SHALL REMAIN THE PROPERTY OF ARCHITECTURAL IRON COMPANY WHETHER THE PROJECT FOR WHICH IT IS PREPARED IS EXECUTED OR NOT. NO CHANGES, ALTERATIONS, ADDITIONS, OR DELETIONS MAY BE MADE EXCEPT BY ARCHITECTURAL IRON COMPANY. THIS DRAWING SHALL NOT BE REPRODUCED BY ANYONE ON OTHER PROJECTS, FOR ADDITIONS TO THIS PROJECT, OR FOR COMPLETION OF THIS PROJECT BY OTHERS WITHOUT WRITTEN CONSENT.

This drawing is available in AutoCad format.

Material used is cast iron unless otherwise specified.

Due to the casting process actual measurements may vary slightly.



## Architectural Iron Company

104 Ironwood Court / P.O. Box 126  
Milford, PA 18337

800-442-IRON/4766

Fax: 570-296-IRON/4766

www.architecturaliron.com

E-mail: info@architecturaliron.com

### Garden City 'C' Bollard - Flange/Surface Mount

Drawing No.	Drafted By:	Checked By:	Date:	Part Number
AIC-957-958F	B. Hale	D.Q.	08/11/06	AIC-957-958F