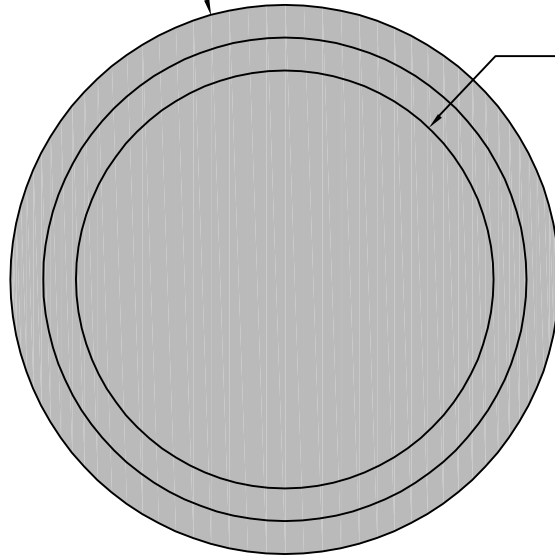
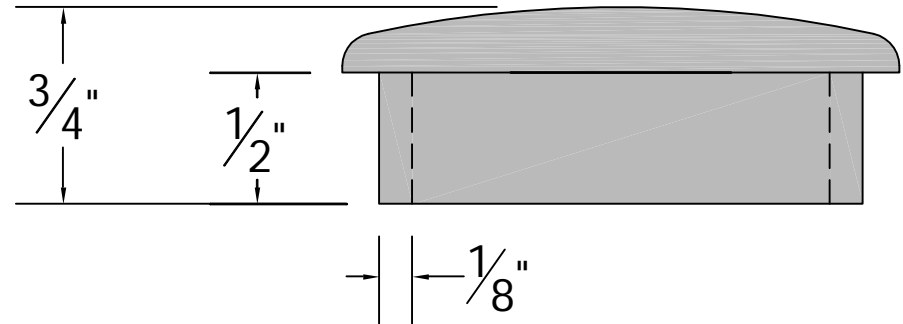


Ø2 1/8"



Reflected Plan View

Ø1 5/8"



Side Elevation

Related Castings:

- AIC-316 Pipe Rail Flange/Slope
- AIC-317 Sloped Cross
- AIC-318 Sloped Tee
- AIC-471 Pipe Rail Flange
- AIC-489 Pipe Rail Cross
- AIC-492 Pipe Rail Tee



Weight: .25 lbs

Rev. 1-8-09

**THIS DRAWING IS NOT DRAWN TO SCALE**  
Copyright 2004, 2007-2025 Architectural Iron Company, Inc. All rights reserved.

THIS DRAWING IS AN INSTRUMENT OF PROFESSIONAL SERVICE AND SHALL REMAIN THE PROPERTY OF ARCHITECTURAL IRON COMPANY WHETHER THE PROJECT FOR WHICH IT IS PREPARED IS EXECUTED OR NOT. NO CHANGES, ALTERATIONS, ADDITIONS, OR DELETIONS MAY BE MADE EXCEPT BY ARCHITECTURAL IRON COMPANY. THIS DRAWING SHALL NOT BE REPRODUCED BY ANYONE ON OTHER PROJECTS, FOR ADDITIONS TO THIS PROJECT, OR FOR COMPLETION OF THIS PROJECT BY OTHERS WITHOUT WRITTEN CONSENT.

This drawing is available in AutoCad format.

Material used is cast iron unless otherwise specified.

Due to the casting process actual measurements may vary slightly.



**Architectural Iron Company**

104 Ironwood Court  
Milford, PA 18337

800-442-IRON/4766

Fax: 570-296-IRON/4766

www.architecturaliron.com

E-mail: info@architecturaliron.com

**Pipe Rail Plug**

Drawing No.	Drafted By:	Checked By:	Date:	Part Number
AIC-311	M. Antonello	D.O.	2/10/04	AIC-311