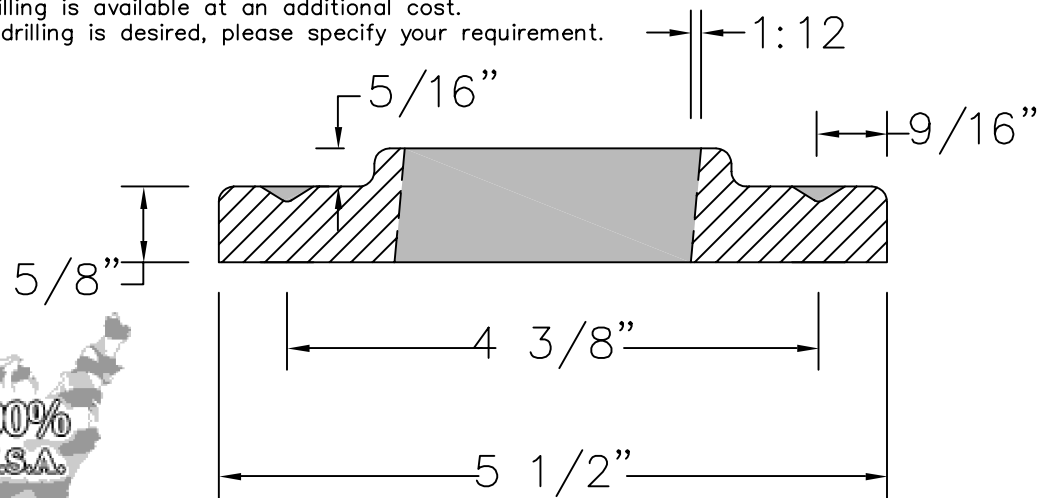


PLAN VIEW

Dimples to be used as reference for drilling optional bolt holes (4 places)
 Pre-drilling is available at an additional cost.
 If pre-drilling is desired, please specify your requirement.



SIDE VIEW



SECTION VIEW



WEIGHT: 3 LBS. 4 OZ.

Related Castings:

AIC 489, AIC 492, AIC 471, AIC 317, & AIC 318

REV. 1-8-09

THIS DRAWING IS NOT DRAWN TO SCALE
 Copyright 2004, 2007-2025 Architectural Iron Company, Inc. All rights reserved.

THIS DRAWING IS AN INSTRUMENT OF PROFESSIONAL SERVICE AND SHALL REMAIN THE PROPERTY OF ARCHITECTURAL IRON COMPANY WHETHER THE PROJECT FOR WHICH IT IS PREPARED IS EXECUTED OR NOT. NO CHANGES, ALTERATIONS, ADDITIONS, OR DELETIONS MAY BE MADE EXCEPT BY ARCHITECTURAL IRON COMPANY. THIS DRAWING SHALL NOT BE REPRODUCED BY ANYONE ON OTHER PROJECTS, FOR ADDITIONS TO THIS PROJECT, OR FOR COMPLETION OF THIS PROJECT BY OTHERS WITHOUT WRITTEN CONSENT.

Note:
Material: Ductile Iron
 1) Designed for insert fit by 2" nominal pipe (2.375" O.D.).
 2) This fitting is available in a conventional version as AIC-471.



Architectural Iron Company

104 Ironwood Court
 Milford, PA 18337

800-442-IRON/4766

Fax: 570-296-IRON/4766

www.architecturaliron.com

E-mail: info@architecturaliron.com

PIPE RAIL FLANGE/SLOPE

Drawing No.	Drafted By:	Checked By:	Date:	Part Number
AIC-316	W.A./J.W./M.A.	D.O.	01/09/04	AIC-316