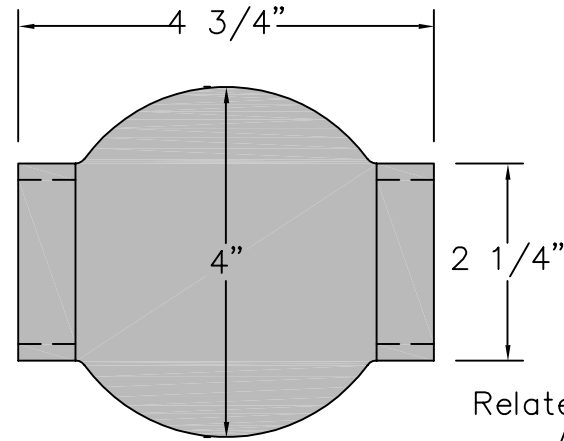


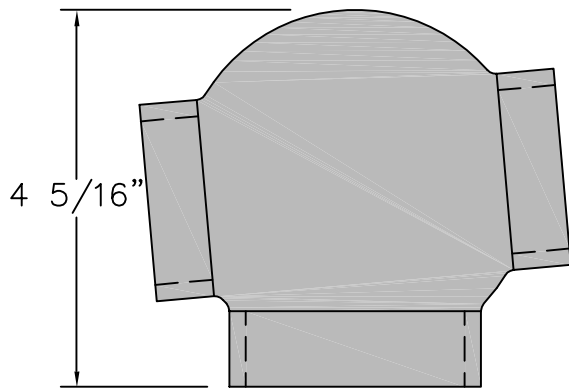
SIDE VIEWS



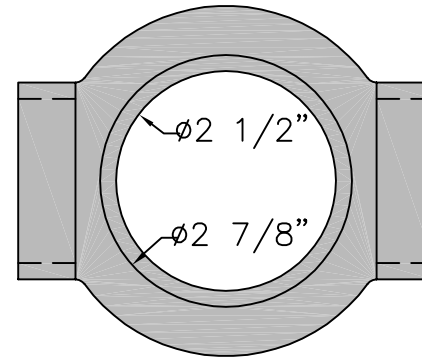
TOP VIEW



Related Castings:  
 AIC 471  
 AIC 489  
 AIC 492  
 AIC 316-317



FRONT & BACK VIEW



BOTTOM VIEW

Note: This is for use on a 1:12 handicap ramp.

WEIGHT: 3 LBS.

Rev. 1-8-09

**THIS DRAWING IS NOT DRAWN TO SCALE**  
 Copyright 2004, 2007-2025 Architectural Iron Company, Inc. All rights reserved.

THIS DRAWING IS AN INSTRUMENT OF PROFESSIONAL SERVICE AND SHALL REMAIN THE PROPERTY OF ARCHITECTURAL IRON COMPANY WHETHER THE PROJECT FOR WHICH IT IS PREPARED IS EXECUTED OR NOT. NO CHANGES, ALTERATIONS, ADDITIONS, OR DELETIONS MAY BE MADE EXCEPT BY ARCHITECTURAL IRON COMPANY. THIS DRAWING SHALL NOT BE REPRODUCED BY ANYONE ON OTHER PROJECTS, FOR ADDITIONS TO THIS PROJECT, OR FOR COMPLETION OF THIS PROJECT BY OTHERS WITHOUT WRITTEN CONSENT.

Note:  
 Material: Ductile Iron  
 1) Designed for insert fit by 1 1/2" & 2" nominal pipe (1.9" O.D. & 2.375" O.D.).  
 2) This fitting is available in a straight version.



**Architectural Iron Company**

104 Ironwood Court  
 Milford, PA 18337

800-442-IRON/4766

Fax: 570-296-IRON/4766

www.architecturaliron.com

E-mail: info@architecturaliron.com

**SLOPED PIPE RAIL TEE**

<b>Drawing No.</b> AIC-318	<b>Drafted By:</b> W.A./J.W./J.R.	<b>Checked By:</b> D.Q.	<b>Date:</b> 12/07/04	<b>Part Number</b> AIC-318
-------------------------------	--------------------------------------	----------------------------	--------------------------	-------------------------------