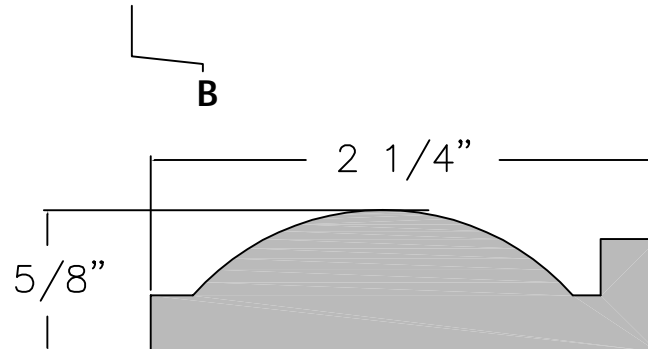


**SECTION AA**



**SECTION BB**

Length: 36"  
Weight: 14 Lbs.

(available in 72" – 27 Lbs. lengths  
when ordered in equal  
quantities with AIC-520  
and AIC-521)



Related Castings:  
AIC-519 Blair House Panel  
AIC-520 Blair House HandRail  
AIC-521 Blair House Sub-Rail  
AIC-522 Blair House Bottom Long Rope

Rev. 1-12-09

**THIS DRAWING IS NOT DRAWN TO SCALE**  
Copyright 2003, 2007-2009 Architectural Iron Company, Inc. All rights reserved.

THIS DRAWING IS AN INSTRUMENT OF PROFESSIONAL SERVICE AND SHALL REMAIN THE PROPERTY OF ARCHITECTURAL IRON COMPANY WHETHER THE PROJECT FOR WHICH IT IS PREPARED IS EXECUTED OR NOT. NO CHANGES, ALTERATIONS, ADDITIONS, OR DELETIONS MAY BE MADE EXCEPT BY ARCHITECTURAL IRON COMPANY. THIS DRAWING SHALL NOT BE REPRODUCED BY ANYONE ON OTHER PROJECTS, FOR ADDITIONS TO THIS PROJECT, OR FOR COMPLETION OF THIS PROJECT BY OTHERS WITHOUT WRITTEN CONSENT.

This drawing is available in AutoCad format.

Material used is cast iron  
unless otherwise specified.

Due to the casting process actual  
measurements may vary slightly.



**Architectural Iron Company**

104 Ironwood Court / P.O. Box 126  
Milford, PA 18337

800-442-IRON/4766

Fax: 570-296-IRON/4766

www.architecturaliron.com

E-mail: info@architecturaliron.com

**Blair House Bottom Short Rope**

Drawing No.	Drafted By:	Checked By:	Date:	Part Number
AIC-522SH	M. Antonello	D.Q.	11/12/03	AIC-522SH