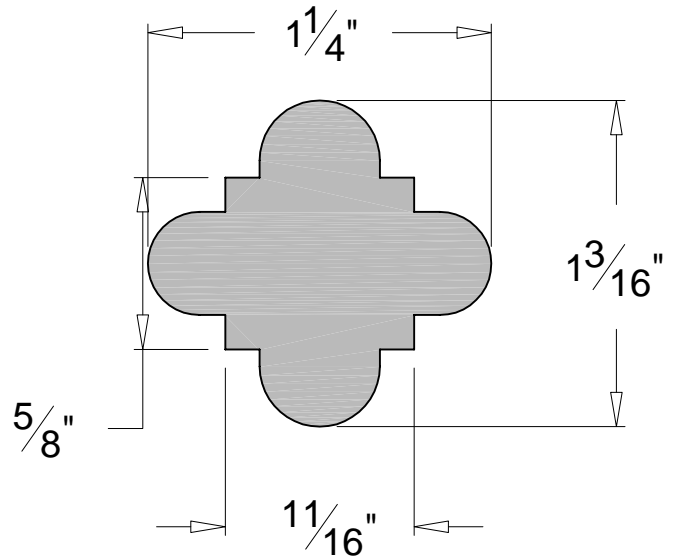


**FRONT ELEVATION**



**Section AA**

Notes:

- 1) Full detail both sides
- 2) Thickness varies with detail from 1" to 2 1/4"



RELATED CASTINGS:  
AIC-572, 573, 574,  
575

WEIGHT: 20 lbs.

Rev. 1-12-09

THIS DRAWING IS NOT DRAWN TO SCALE  
Copyright 2006-2009 Architectural Iron Company, Inc. All rights reserved.

THIS DRAWING IS AN INSTRUMENT OF PROFESSIONAL SERVICE AND SHALL REMAIN THE PROPERTY OF ARCHITECTURAL IRON COMPANY WHETHER THE PROJECT FOR WHICH IT IS PREPARED IS EXECUTED OR NOT. NO CHANGES, ALTERATIONS, ADDITIONS, OR DELETIONS MAY BE MADE EXCEPT BY ARCHITECTURAL IRON COMPANY. THIS DRAWING SHALL NOT BE REPRODUCED BY ANYONE ON OTHER PROJECTS. FOR ADDITIONS TO THIS PROJECT, OR FOR COMPLETION OF THIS PROJECT BY OTHERS WITHOUT WRITTEN CONSENT.

This drawing is available in AutoCad format.

Material used is cast iron unless otherwise specified.

Due to the casting process actual measurements may vary slightly.

**AIC**

**Architectural Iron Company**

104 Ironwood Court / P.O. Box 126  
Milford, PA 18337

800-442-IRON/4766

Fax: 570-296-IRON/4766

www.architecturaliron.com

E-mail: info@architecturaliron.com

**Mobile Star Picket**

Drawing No.  
AIC-571

Drafted By:  
B. Hale

Checked By:  
D.O.

Date:  
03/03/06

Part Number  
AIC-571