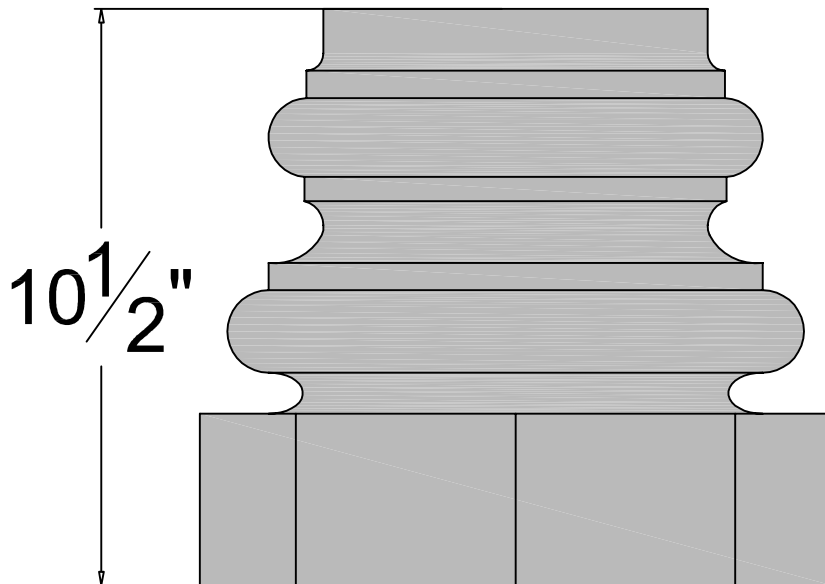


**PLAN**



**Elevation**

Related Castings:  
AIC-1025

Approx. Weight: 30 lbs.

THIS DRAWING IS NOT DRAWN TO SCALE  
Copyright 2008-2023 Architectural Iron Company, Inc. All rights reserved.

THIS DRAWING IS AN INSTRUMENT OF PROFESSIONAL SERVICE AND SHALL REMAIN THE PROPERTY OF ARCHITECTURAL IRON COMPANY WHETHER THE PROJECT FOR WHICH IT IS PREPARED IS EXECUTED OR NOT. NO CHANGES, ALTERATIONS, ADDITIONS, OR DELETIONS MAY BE MADE EXCEPT BY ARCHITECTURAL IRON COMPANY. THIS DRAWING SHALL NOT BE REPRODUCED BY ANYONE ON OTHER PROJECTS. FOR ADDITIONS TO THIS PROJECT, OR FOR COMPLETION OF THIS PROJECT BY OTHERS WITHOUT WRITTEN CONSENT.

This drawing is available in AutoCad format.

Material used is cast iron unless otherwise specified.

Due to the casting process actual measurements may vary slightly.



800-442-IRON/4766  
www.architecturaliron.com

**Architectural Iron Company**

104 Ironwood Court  
Milford, PA 18337

Fax: 570-296-IRON/4766

E-mail: info@architecturaliron.com

**Heritage Base**

Drawing No.	Drafted By:	Checked By:	Date:	Part Number
AIC-1024	MLS	RW	08/16/23	AIC-1024